

# PRODUCT SPECIFICATIONS

## Hierarchy Shapes Desk + Porcelain Steel Top

Part Number(s): 70523, 70523K, 70523S

### Overview:

Porcelain steel top surface options offer a durable surface with superior writability and erasability as compared to whiteboard laminate options.

### Top:

The top is made of 1- $\frac{3}{8}$ " 45# particleboard core with 24-gauge porcelain steel work surface and injection molded polypropylene edge banding. Table bottom is covered with high-pressure laminate for balanced construction. Edge band uses no nails or glue.

### Leg Receiver (Kids & Standard Height):

The 1- $\frac{1}{2}$ " diameter 14-gauge powder coated leg receiver is welded to a 10-gauge steel top plate and two 12-gauge fins for strength. Legs are directly mounted to the top with six #10 x 1" wood screws.

Legs are standard with nylon glides that have  $\frac{3}{4}$ " height adjustment range for leveling, and an M10 threaded stem. 50mm single-hard wheel casters with a M10 threaded stem are available for easy field installation in locking and non-locking. Casters add 2" to the height of the desk.

### Leg Receiver (Standing Height):

The 1- $\frac{3}{4}$ " diameter 9-gauge powder coated leg receiver is welded to a 10-gauge steel top plate and two 10-gauge gussets for strength. Legs are directly mounted to the top with nine #10 x 1" wood screws. The leg insert is a 40mm 11-gauge chrome plated steel tube with press fit plastic cap. Legs are standard with M10 nylon glides. 60mm dual wheel soft casters with threaded stem are available in locking and non-locking. Casters add 2" of height to the desk.

### Leg Insert:

The leg insert is a 34mm 17-gauge chrome plated steel tube with welded in threaded glide insert.

### Height Adjustment:

Adjustment range is from 18"-29" in 1" increments for standard leg and 12"-18" for kids height leg, and 27"-42" for the standing height leg. Two M6 x 15MM low profile socket head screws with

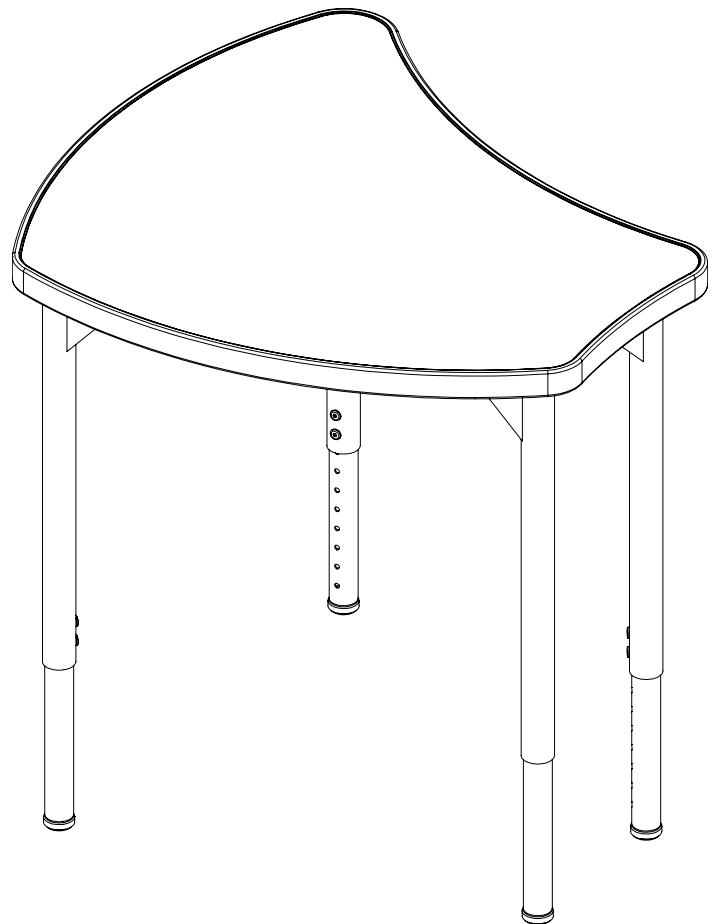
an allen drive are used to tighten the leg at the chosen height.

### Options / Accessories:

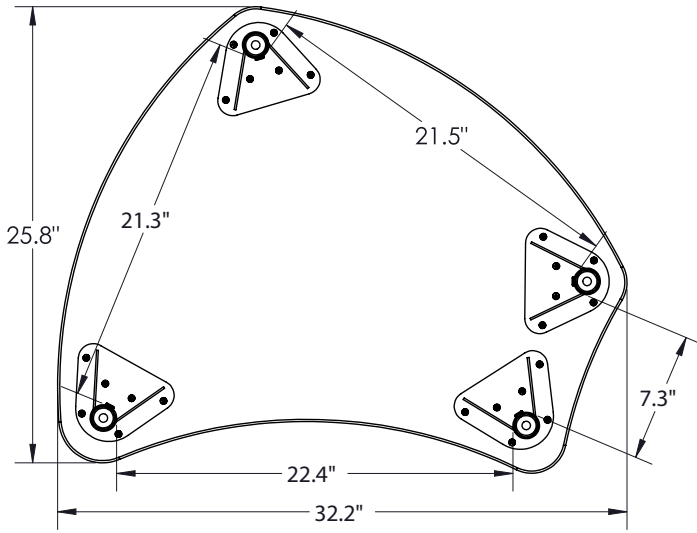
Optional accessories include a pair of casters, backpack hook, book box, ganging device, and clamp mounted electrical unit.

### Compliance:

All desks meet or exceed ANSI/BIFMA testing requirements. SCS Indoor Advantage Gold Certified.



# Drawings & Dimensions



# Materials & Finishes

## Top:



Porcelain Steel

## Edge Band:



Charcoal

## Leg Receiver:



Platinum

# Standard Options

Part No.	Description	Dimensions (inches)			Ship Wt. (lbs)
		H	W	D	
70523	Hierarchy Shapes Desk + Porcelain Steel Top (Standard) – Platinum Legs	18–29	29.9	28.4	42
70523K	Hierarchy Shapes Desk + Porcelain Steel Top (Standard) – Platinum Legs (Youth Height)	12–18	29.9	28.4	42
70523S	Hierarchy Shapes Desk + Porcelain Steel Top (Standard) – Platinum Legs (Standing Height)	27–42	29.9	28.4	42

Please note this listing does not necessarily represent all available options for this product. If you are interested in a custom product or another option not listed here, please contact your MooreCo sales team for assistance at 800-749-2258 or [www.moorecoinc.com/contact-us/](http://www.moorecoinc.com/contact-us/)



For more information, visit the Hierarchy Shapes Desk + Porcelain Steel Top product page at [www.moorecoinc.com/product/hierarchy-shapes-desk-porcelain-steel-top/](http://www.moorecoinc.com/product/hierarchy-shapes-desk-porcelain-steel-top/)