

Linear + Curved Lounge

Configurable upholstered sofas, chairs and ottomans with backs. Cover may be specified in vinyl. Accommodates up to 300 lb. weight capacity.

Seat frame

> Industry leading all steel structure on solid wood base. Back receivers are 1-1/2" 16 gauge steel tube welded to 13 gauge base plate with 13 gauge support gussets, then powder coated and fastened with (9) #10x3/4" wood screws.

Back frame

> Industry leading all steel structure. Inserts are 1-5/16" 16 gauge steel tube welded to a 12 gauge CNC-formed back hoop with 16 gauge cross bar for support. Back frame is then powder coated. Back is secured to couch base by two 3/8" bolts. Couch back is shipped knocked down to reduce shipping cubes. Assembles with two bolts.

Padding

> Foam padding is 1.8/50 ILD foam over 1.8/90 ILD foam on seat and 1.8/34 ILD foam over 1/8/90 ILD foam on the back.

Cover

> Cover may be specified in environmentally friendly wipe clean coated vinyl

Feet

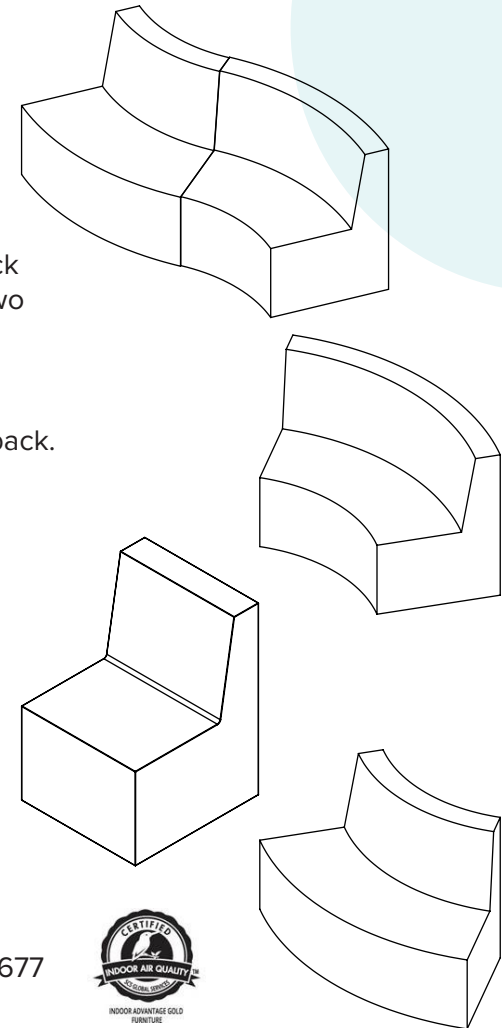
Adjustable nylon glides.

Tops

1" thermofused laminate. All four exposed edges of the uprights are banded with 2mm matching PVC. Ottoman top is (dimensions). Wedge top is (dimensions). Tops are attached to base with steel-encased, neodymium magnets (.9843" diameter x .2786" thick) attached with screws. Mating plates are sewn-in 18-8 stainless steel finish, countersunk washers (1.339" diameter x .118" thick).

Compliance

> Certified Indoor Advantage™ Gold. Indoor air quality certified to SCS-EC10.3-2014 V3.0. Registration #SCS-AQ-03677
> Indoor Advantage™ Gold. Indoor air quality certified to SCS-EC10.3-2014



Learn more at [artcobell.com](https://www.artcobell.com)

Artcobell's practice of continuous improvement in design & engineering requires that materials & methods be subject to change without prior notice.

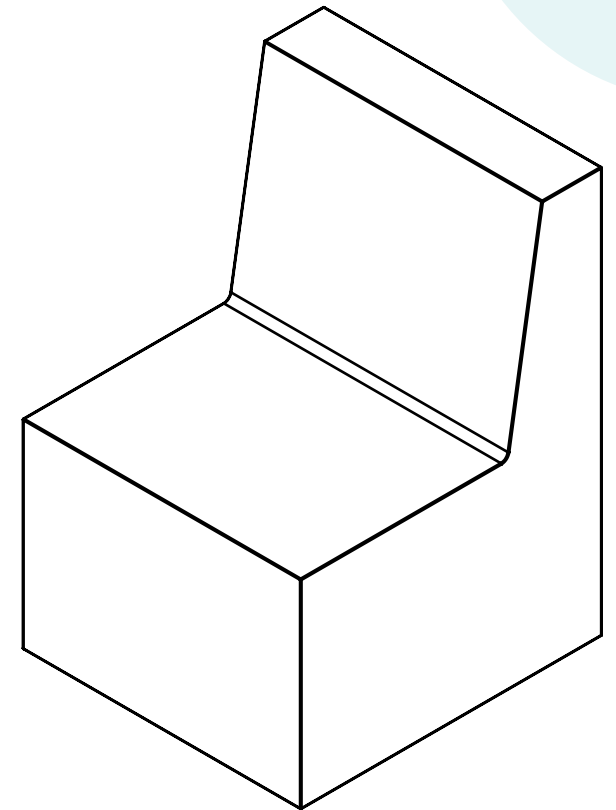
TS.SS (7/29/24) Artcobell Specifications

Linear Lounge

Sofa 24"

MODEL	WIDTH"	DEPTH"	HEIGHT"	SEAT DEPTH "
SS-LS24	24.3"	26.3"	36.0"	18.0"
SSD-LS24	24.3"	26.3"	36.0"	18.0"

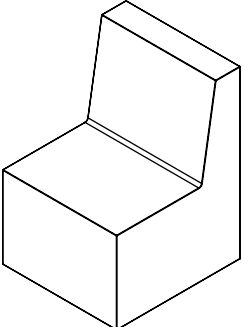
1. GLIDES: QTY 4
2. FOAM: 18090 CHARCOAL, 90 IFD/ILD
3. FRAME INTERNAL SUPPORT: 12GA ROUND TUBE



Learn more at [artcobell.com](https://www.artcobell.com)

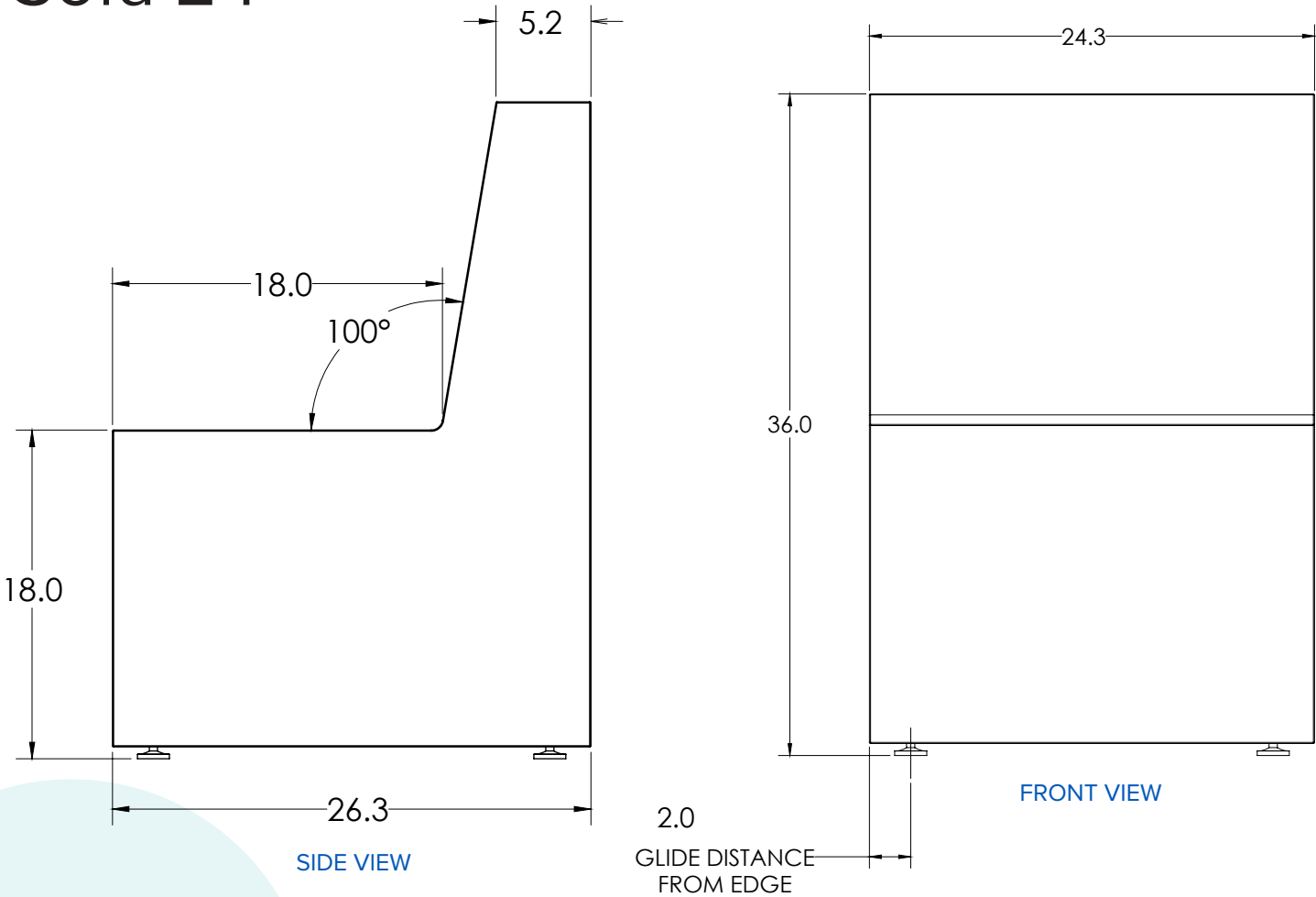
Artcobell's practice of continuous improvement in design & engineering requires that materials & methods be subject to change without prior notice.

TS.SS (7/29/24) Artcobell Specifications



Linear Lounge

Sofa 24"



Learn more at artcobell.com

Artcobell's practice of continuous improvement in design & engineering requires that materials & methods be subject to change without prior notice.

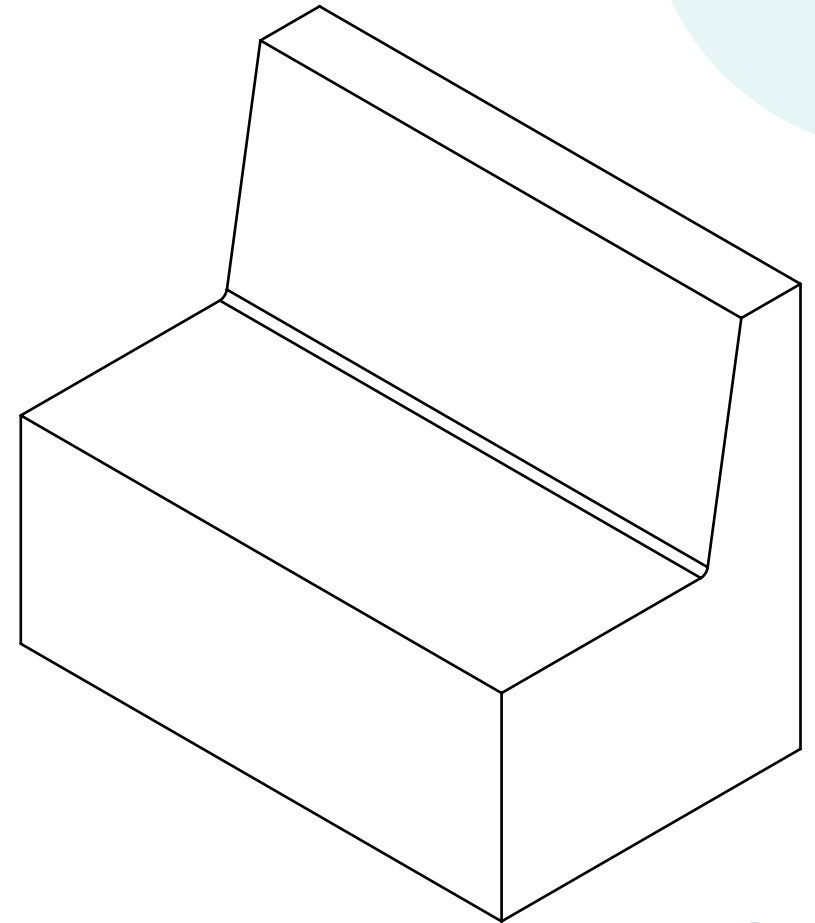
TS.SS (7/29/24) Artcobell Specifications

Linear Lounge

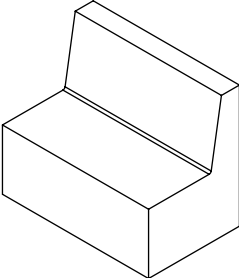
Sofa 42"

MODEL	WIDTH"	DEPTH"	HEIGHT"	SEAT DEPTH "
SS-LS42	42.3"	26.3"	36.0"	18.0"
SSD-LS42	42.3"	26.3"	36.0"	18.0"

1. GLIDES: QTY 6
2. FOAM: 18090 CHARCOAL, 90 IFD/ILD
3. FRAME INTERNAL SUPPORT: 12GA ROUND TUBE

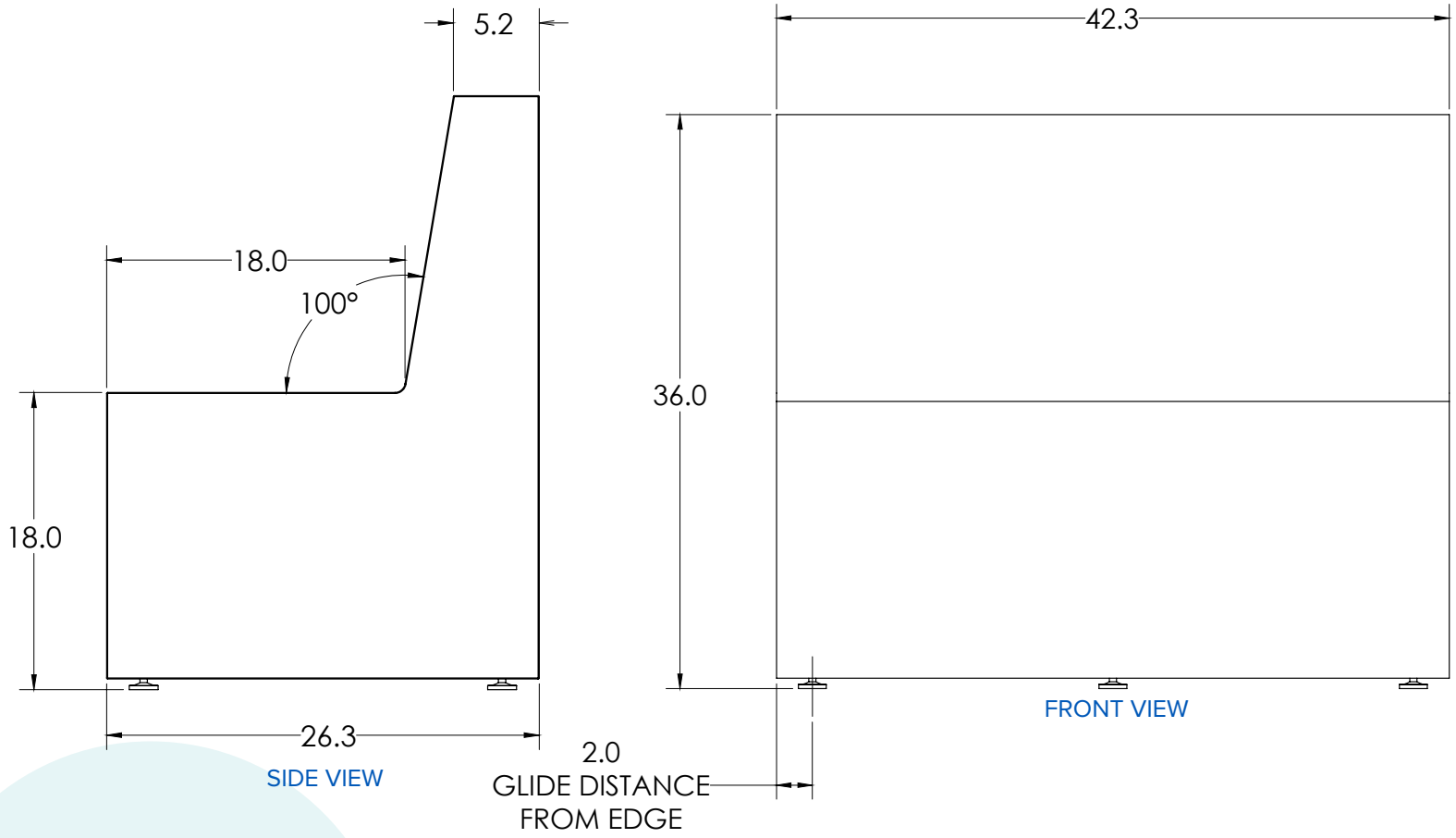


Learn more at artcobell.com



Linear Lounge

Sofa 42"



Learn more at artcobell.com

Artcobell's practice of continuous improvement in design & engineering requires that materials & methods be subject to change without prior notice.

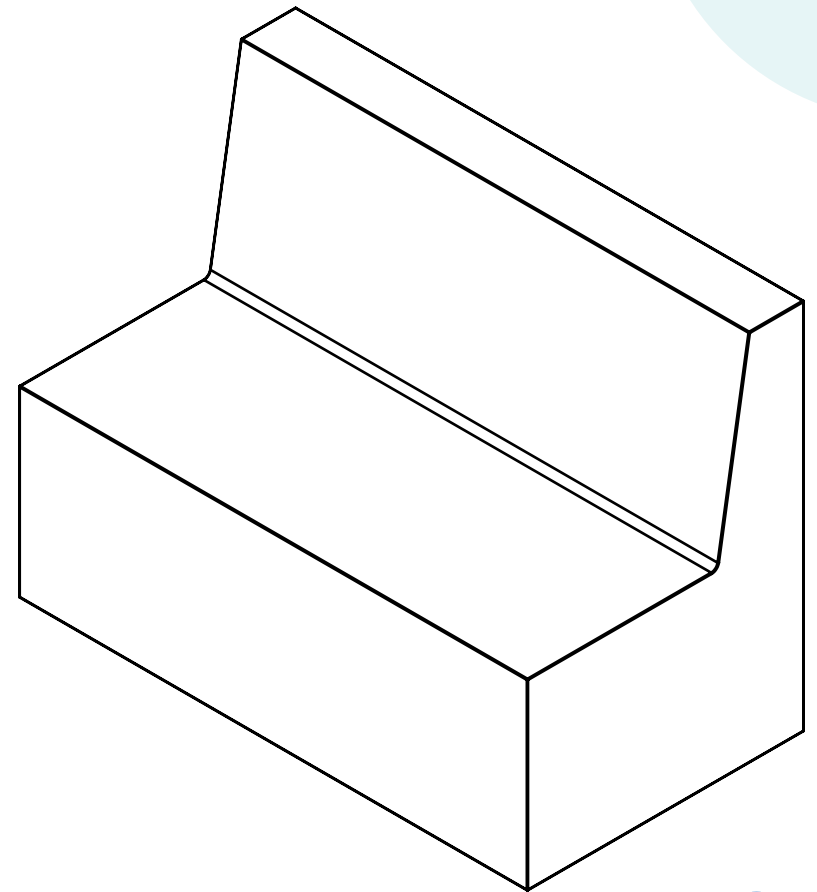
TS.SS (7/29/24) Artcobell Specifications

Linear Lounge

Sofa 48"

MODEL	WIDTH"	DEPTH"	HEIGHT"	SEAT DEPTH "
SS-LS48	48.3"	26.3"	36.0"	18.0"
SSD-LS48	48.3"	26.3"	36.0"	18.0"

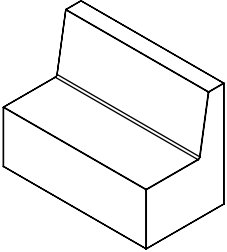
1. GLIDES: QTY 6
2. FOAM: 18090 CHARCOAL, 90 IFD/ILD
3. FRAME INTERNAL SUPPORT: 12GA ROUND TUBE



Learn more at [artcobell.com](https://www.artcobell.com)

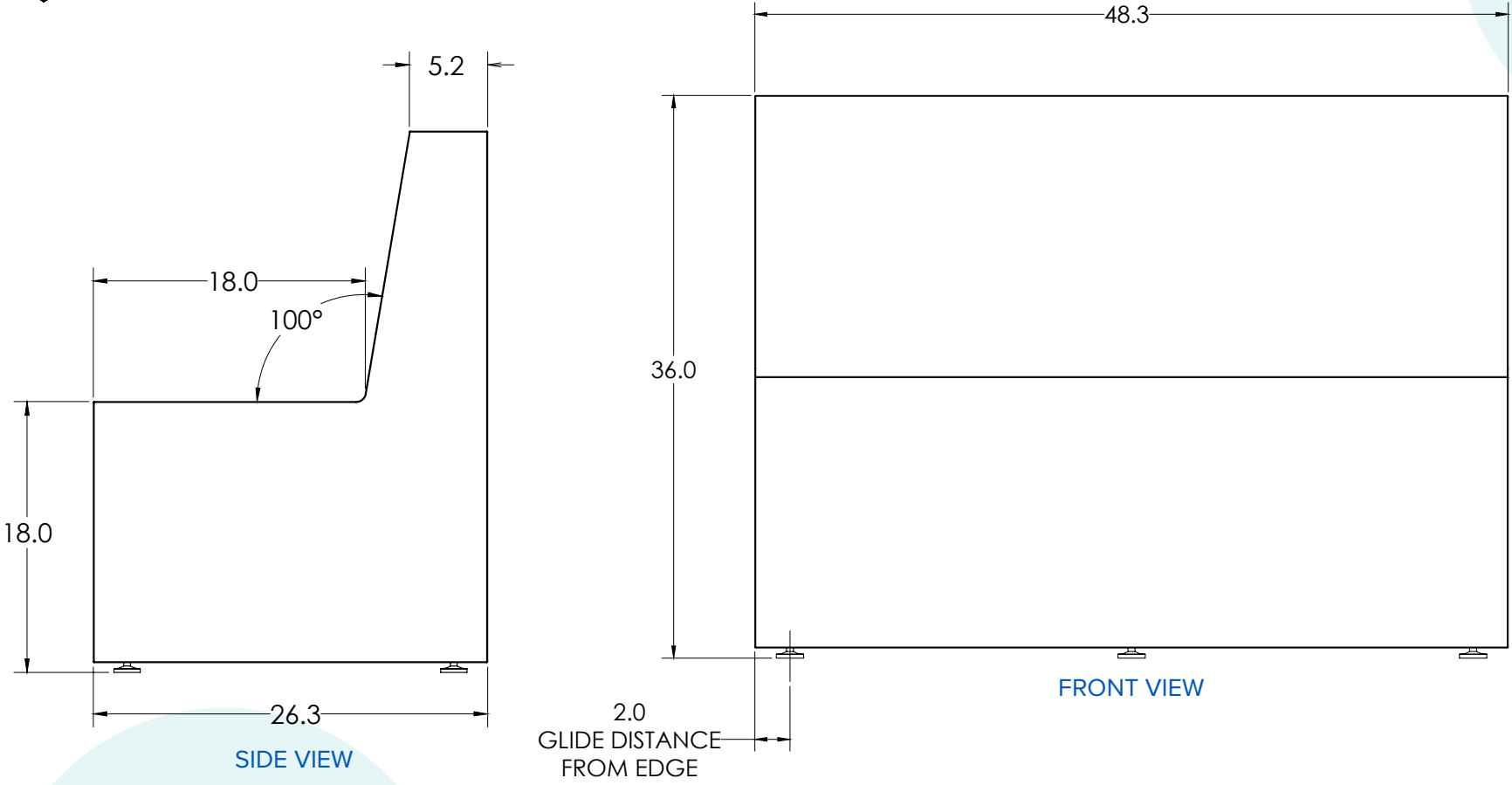
Artcobell's practice of continuous improvement in design & engineering requires that materials & methods be subject to change without prior notice.

TS.SS (7/29/24) Artcobell Specifications



Linear Lounge

Sofa 48"



Learn more at artcobell.com

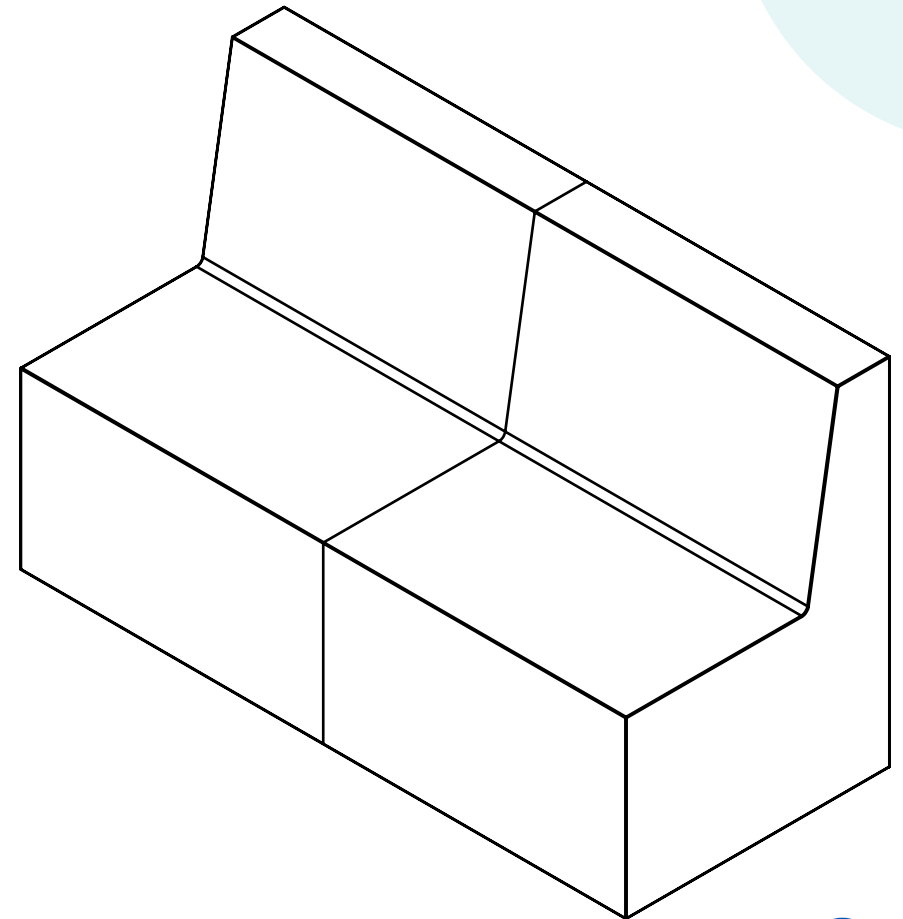
Artcobell's practice of continuous improvement in design & engineering requires that materials & methods be subject to change without prior notice.

Linear Lounge

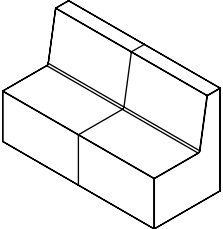
Sofa 60"

MODEL	WIDTH"	DEPTH"	HEIGHT"	SEAT DEPTH "
SS-LS60	60.3"	26.3"	36.0"	18.0"
SSD-LS60	60.3"	26.3"	36.0"	18.0"

1. GLIDES: QTY 6
2. FOAM: 18090 CHARCOAL, 90 IFD/ILD
3. FRAME INTERNAL SUPPORT: 12GA ROUND TUBE

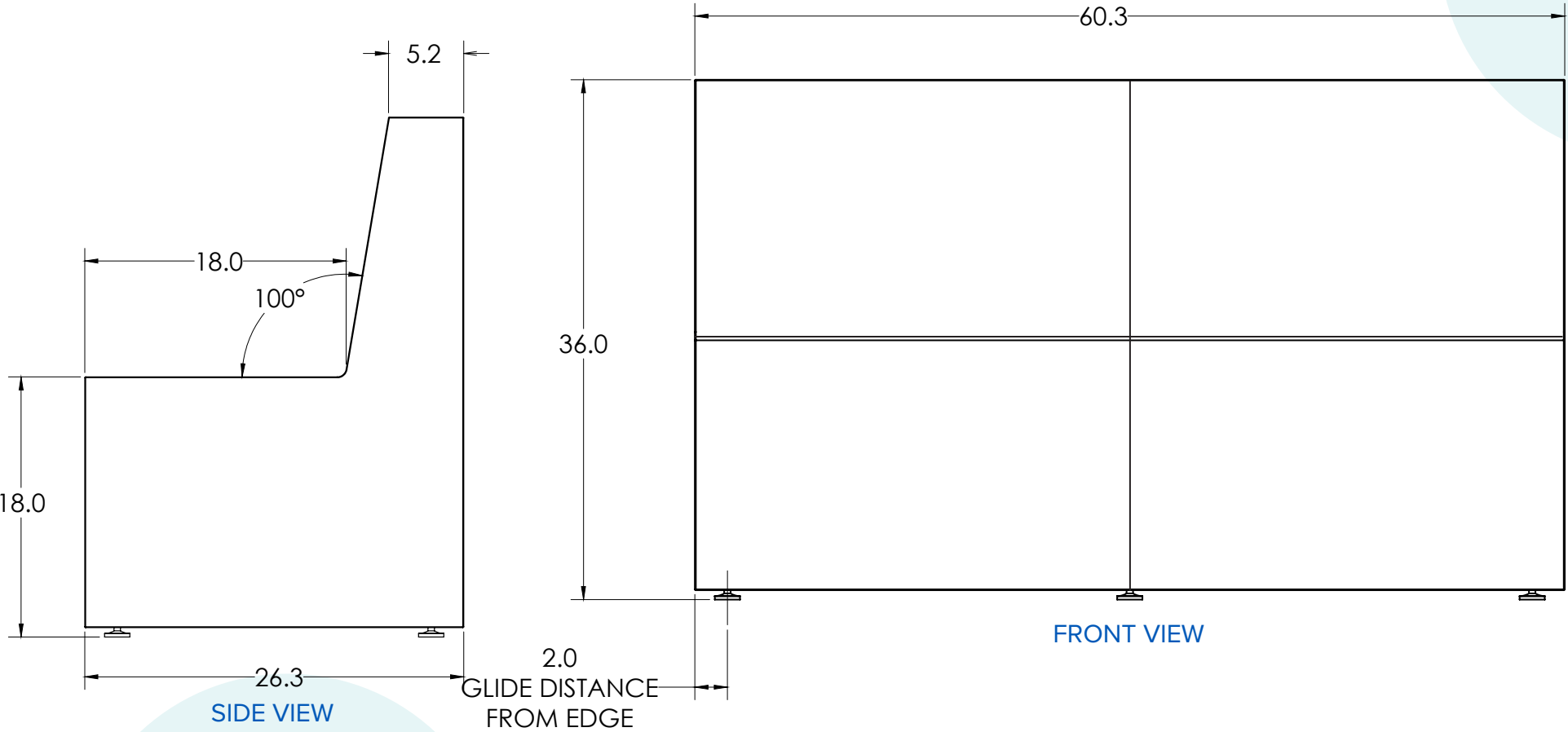


Learn more at [artcobell.com](https://www.artcobell.com)



Linear Lounge

Sofa 60"



Learn more at artcobell.com

Artcobell's practice of continuous improvement in design & engineering requires that materials & methods be subject to change without prior notice.

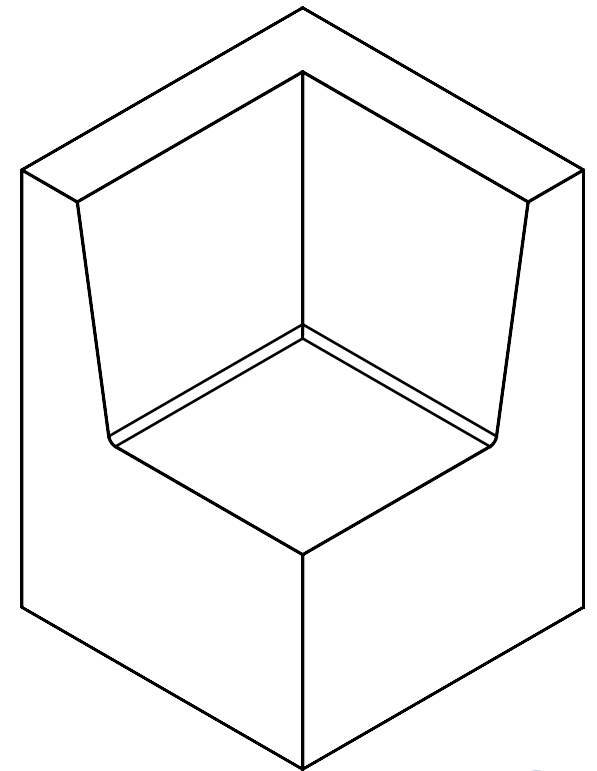
TS.SS (7/29/24) Artcobell Specifications

Linear Lounge

Corner

MODEL	WIDTH"	DEPTH"	HEIGHT"	SEAT DEPTH "
SS-LC26	26.3"	26.3"	36"	18"
SSD-LC26	26.3"	26.3"	36"	18"

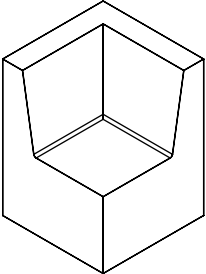
1. GLIDES: QTY 4
2. FOAM: 18090 CHARCOAL, 90 IFD/ILD
3. FRAME INTERNAL SUPPORT: 12GA ROUND TUBE



Learn more at artcobell.com

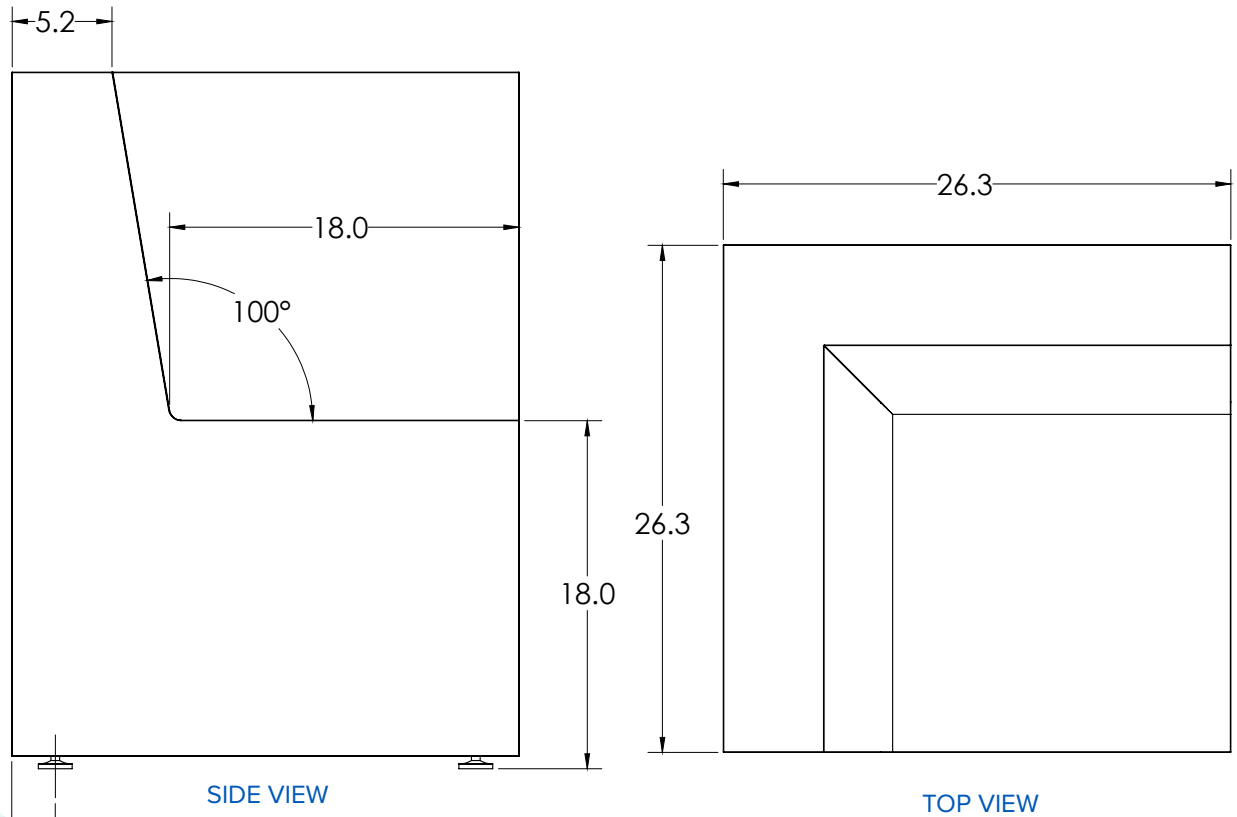
Artcobell's practice of continuous improvement in design & engineering requires that materials & methods be subject to change without prior notice.

TS.SS (7/29/24) Artcobell Specifications



Linear Lounge

Corner



2.0
GLIDE DISTANCE
FROM EDGE

Learn more at artcobell.com

Artcobell's practice of continuous improvement in design & engineering requires that materials & methods be subject to change without prior notice.

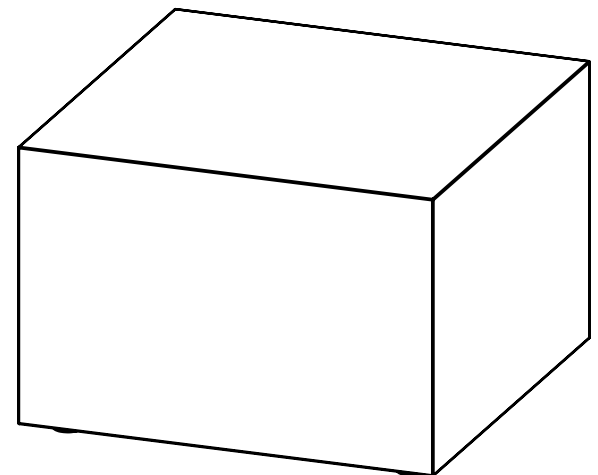
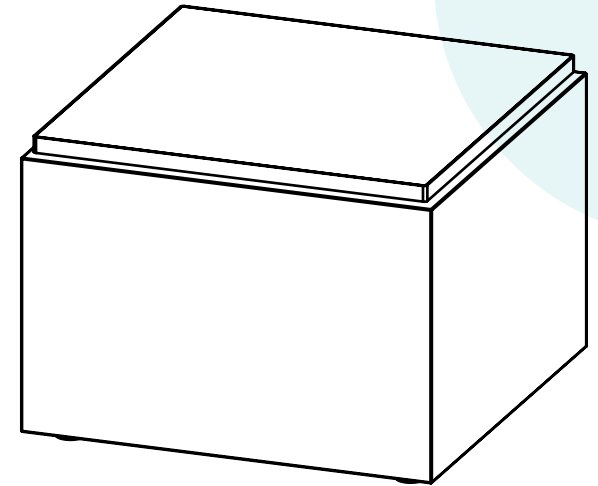
TS.SS (7/29/24) Artcobell Specifications

Linear Lounge | Ottoman

Square

MODEL	WIDTH"	DEPTH"	HEIGHT"	SEAT DEPTH "
SS-SQ2618	26.3"	26.3"	18"	18"
SS-SQ2618T	26.3"	26.3"	19.3"	18"
SSD-SQ2618	26.3"	26.3"	18"	

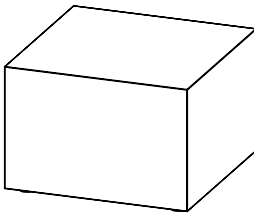
1. GLIDES: QTY 4. ALL GLIDES INSET FROM OUTER EDGE 2"
2. LAMINATE TOP WITH EDGE BAND: 1 in THICK
 - TOP INSET TO UNIT BODY BY .5in
 - TOP SECURED TO UNIT WITH MAGNETS
3. FOAM: 18090 CHARCOAL, 90 IFD/ILD



Learn more at [artcobell.com](https://www.artcobell.com)

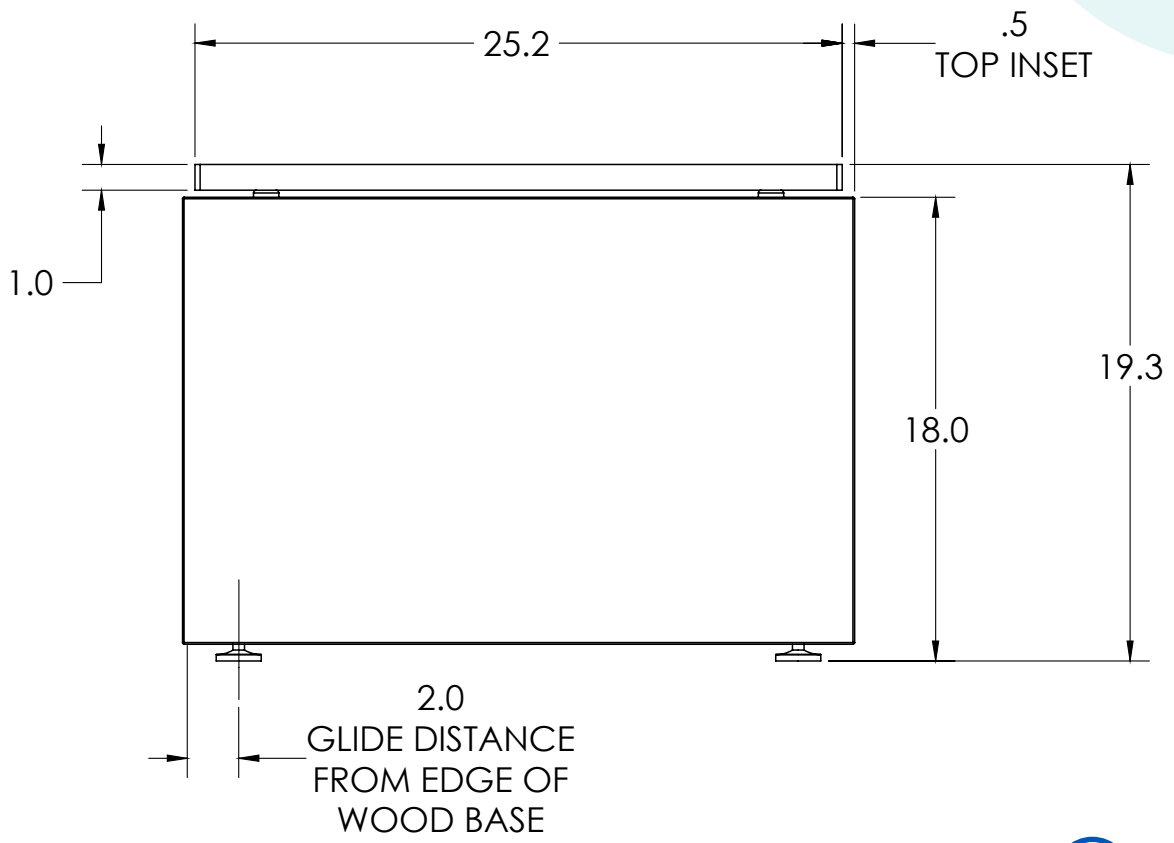
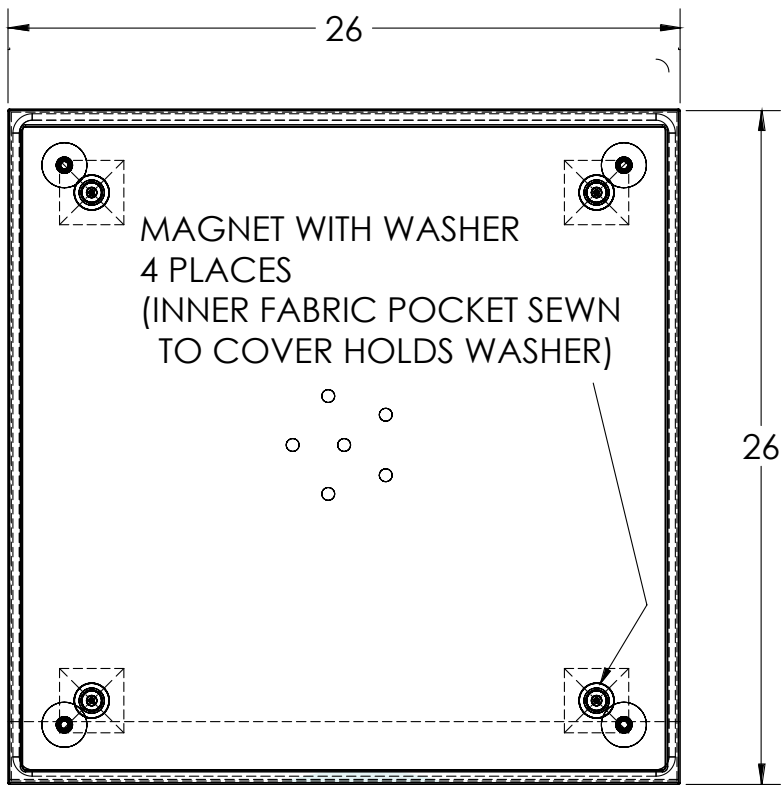
Artcobell's practice of continuous improvement in design & engineering requires that materials & methods be subject to change without prior notice.

TS.SS (7/29/24) Artcobell Specifications



Linear Lounge | Ottoman

Square



Learn more at artcobell.com

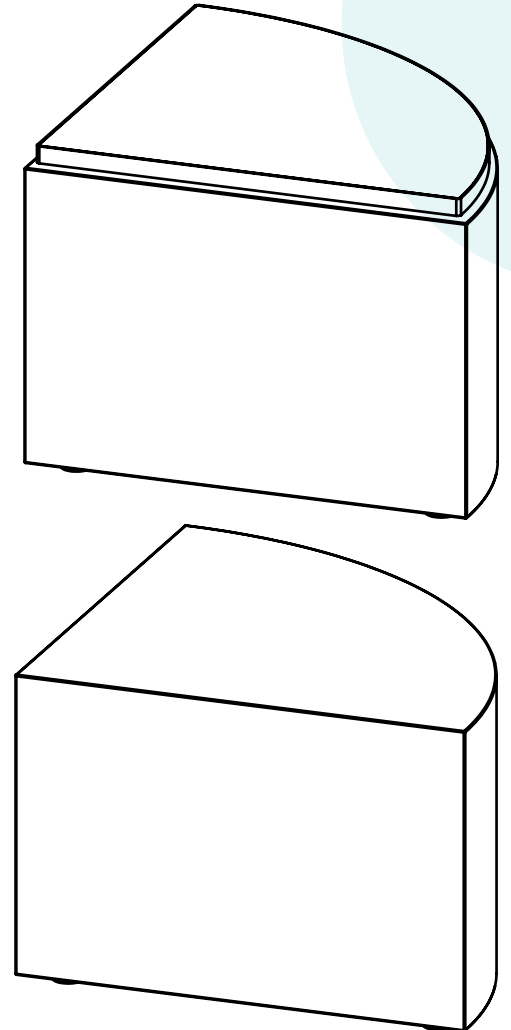
Artcobell's practice of continuous improvement in design & engineering requires that materials & methods be subject to change without prior notice.

Linear Lounge | Ottoman

Wedge

MODEL	WIDTH"	DEPTH"	HEIGHT"	SEAT DEPTH "
SS-WD2618	26.2"	26.2"	18"	18"
SS-WD2618T	26.2"	26.2"	19.3"	18"
SSD-WD2618	26.2"	26.2"	18"	

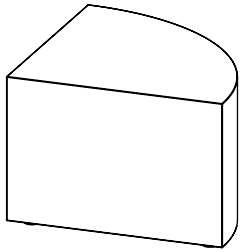
1. GLIDES: QTY 4. ALL GLIDES INSET FROM OUTER EDGE 2"
2. LAMINATE TOP WITH EDGE BAND: 1 in THICK
 - TOP INSET TO UNIT BODY BY .5in
 - TOP SECURED TO UNIT WITH MAGNETS
3. FOAM: 18090 CHARCOAL, 90 IFD/ILD



Learn more at artcobell.com

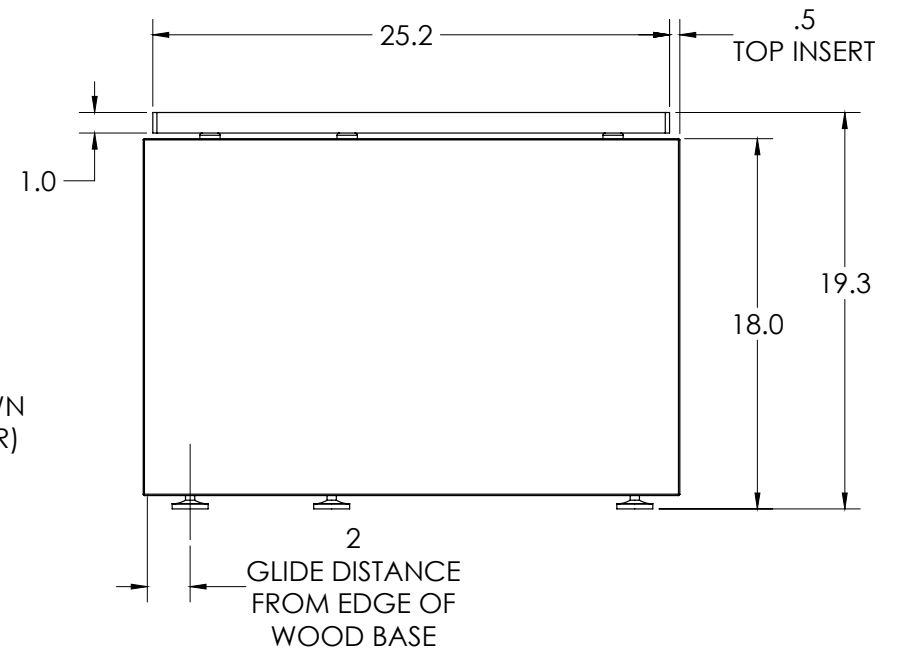
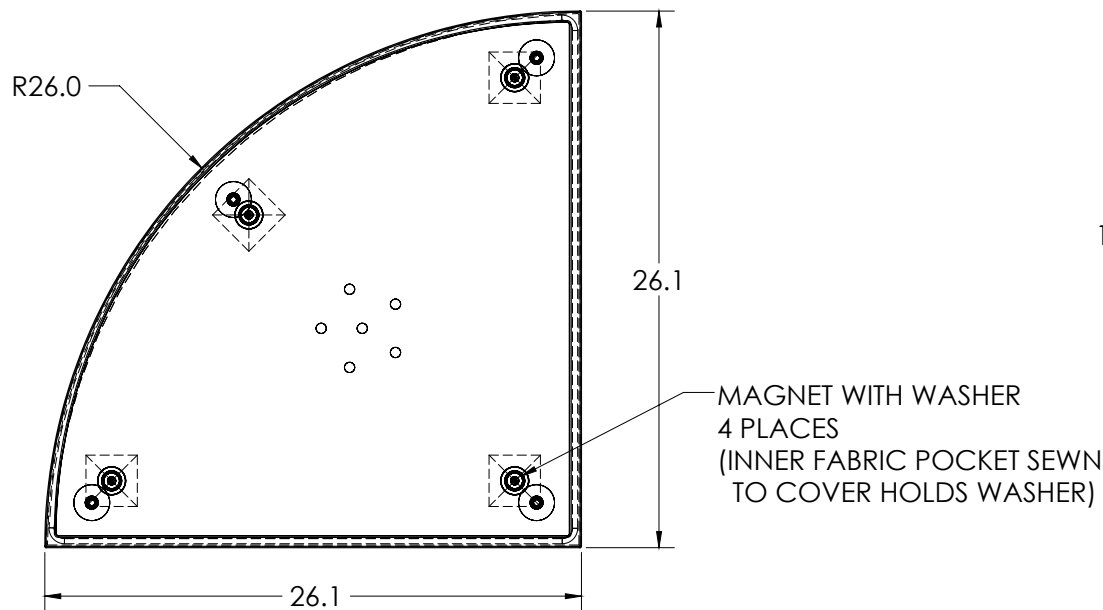
Artcobell's practice of continuous improvement in design & engineering requires that materials & methods be subject to change without prior notice.

TS.SS (7/29/24) Artcobell Specifications



Linear Lounge | Ottoman

Wedge

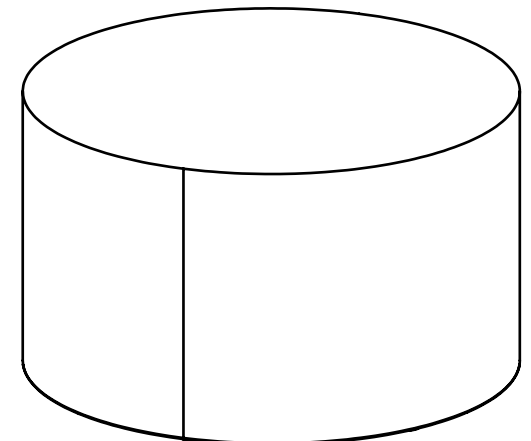
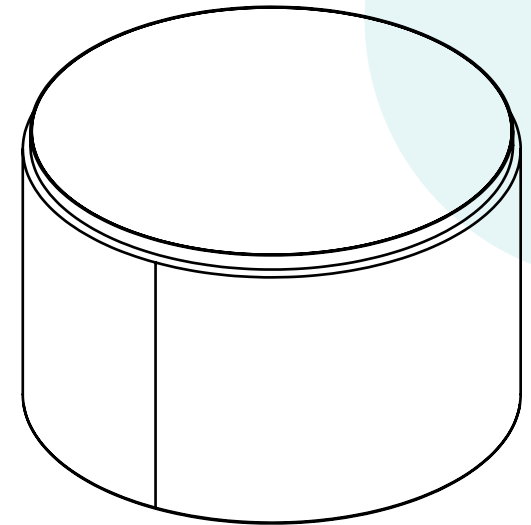


Linear Lounge | Ottoman

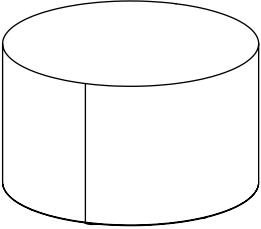
Round

MODEL	WIDTH"	DEPTH"	HEIGHT"
SSD-RD3018	30.125"	30.125"	18"
SS-RD3018	30.125"	30.125"	18"
SS-RD3018T	30.125"	30.125"	19.25"

1. 29.75" DIAMETER WOOD BASE, MDF MATERIAL, 0.75" THICK.
2. 29.20" DIAMETER WOOD TOP, TFL MATERIAL, 1" THICK. EASILY REMOVAL FOR CLEANING DUE TO MAGNETIC ASSEMBLY APPLICATION.
3. COVER IS VINYL MATERIAL, TWO SIDE SEAMS, THREE PIECES TOTAL. COVER WILL HAVE SEWN-IN COUNTERSINK WASHER, 1.339" DIAMETER x .118" THICK
4. TOP SECURED TO UNIT WITH MAGNETS
5. ONLY STANDARD GLIDE OPTIONS AVAILABLE. NO CASTER OPTIONS. NO SOFA LEG OPTIONS.

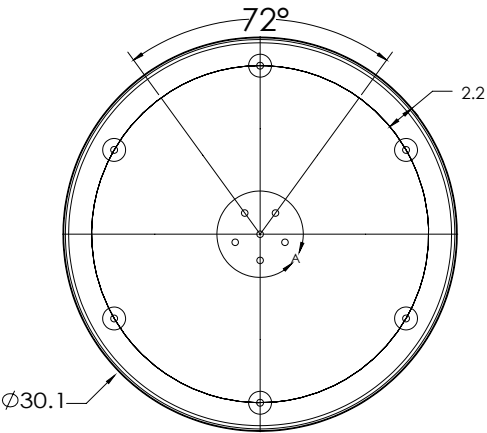


Learn more at [artcobell.com](https://www.artcobell.com)

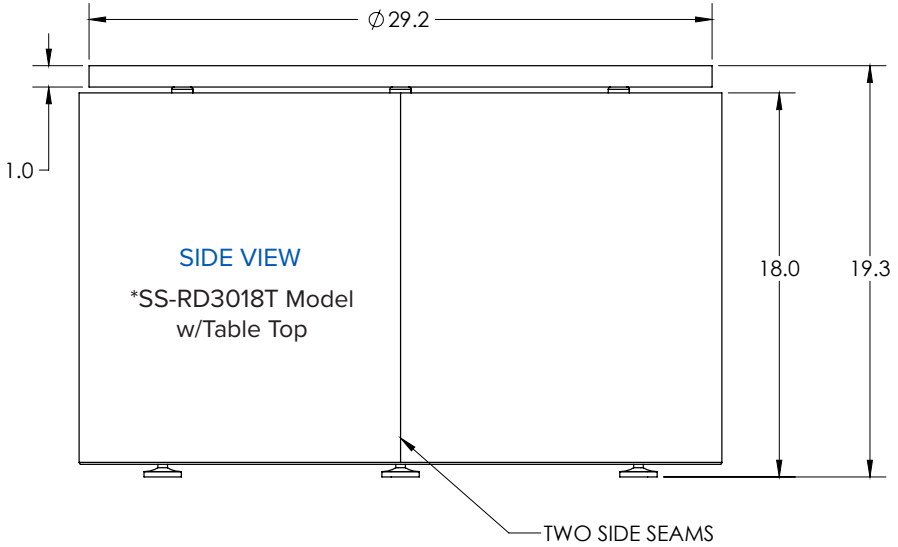
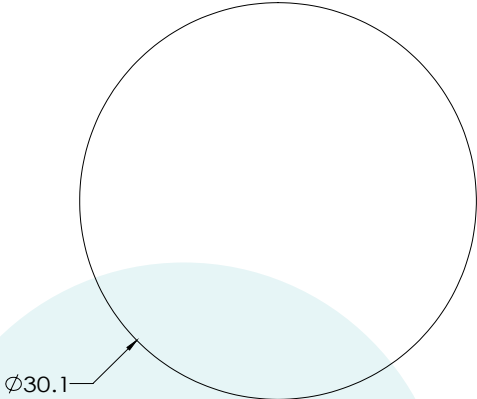


Linear Lounge | Ottoman

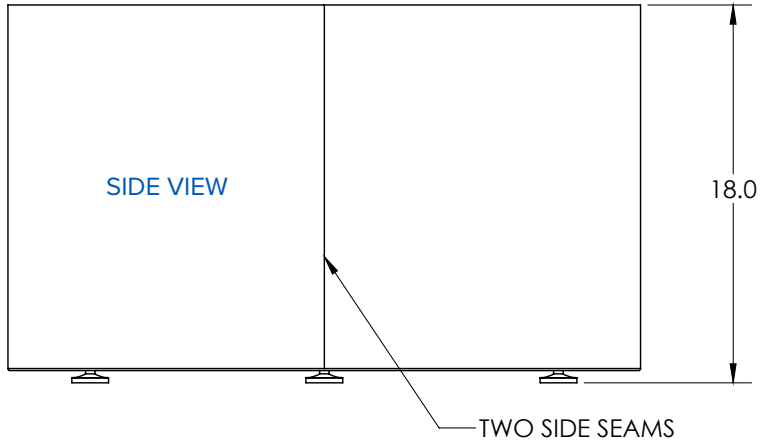
Round



*SS-RD3018T Model w/Table Top
TOP VIEW



SIDE VIEW
*SS-RD3018T Model
w/Table Top



SIDE VIEW

Learn more at artcobell.com

Artcobell's practice of continuous improvement in design & engineering requires that materials & methods be subject to change without prior notice.

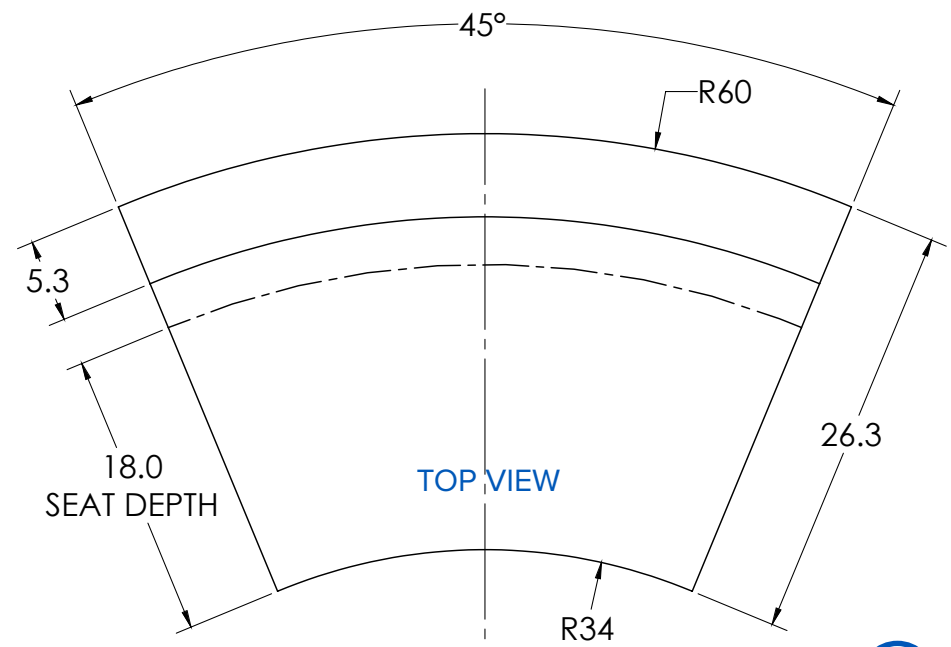
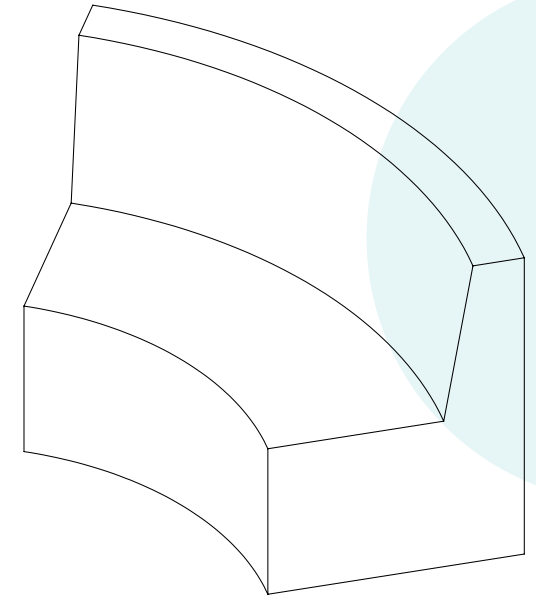
TS.SS (7/29/24) Artcobell Specifications

Curved Lounge | Sofa

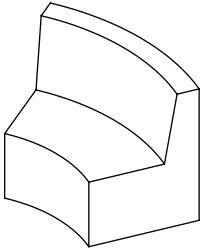
Inside Curve | 45° Radius

MODEL	WIDTH"	DEPTH"	HEIGHT"	SEAT DEPTH "
SS-CSI45	46.2"	28.9"	36"	18"
SSD-CSI45	46.2"	28.9"	36"	18"

- CURVED SOFA IN AT 45 DEGREE TOP VIEW.
- MAIN COMPONENTS OF FINAL ASSEMBLY [FULLY ASSEMBLED]:
 - FOAM: 18090 STANDARD INDUSTRY GRADE.
 - FABRIC: DESIGN CHOICE SPECIFIC TO CUSTOMER, SECURED TO UNIT WITH STAPLES ONTO WOOD BASE.
 - WOODBASE: 0.75" THICK MDF WITH BACKER BROWN, GLUED TO FOAM UNIT.
 - FRAME: 12GA, 1-1/8in METAL TUBE SUPPORT [SITS INSIDE FOAM, UNDETECTED BY USER].
- ADJUSTABLE THREADED GLIDES: 5 QTY.
- CASTER AND SOFA BENCH LEGS NOT RECOMMENDED.
- STORAGE MODEL UNIT MATCH:
 - ASFVSC-1742
 - ASFVSC-1748

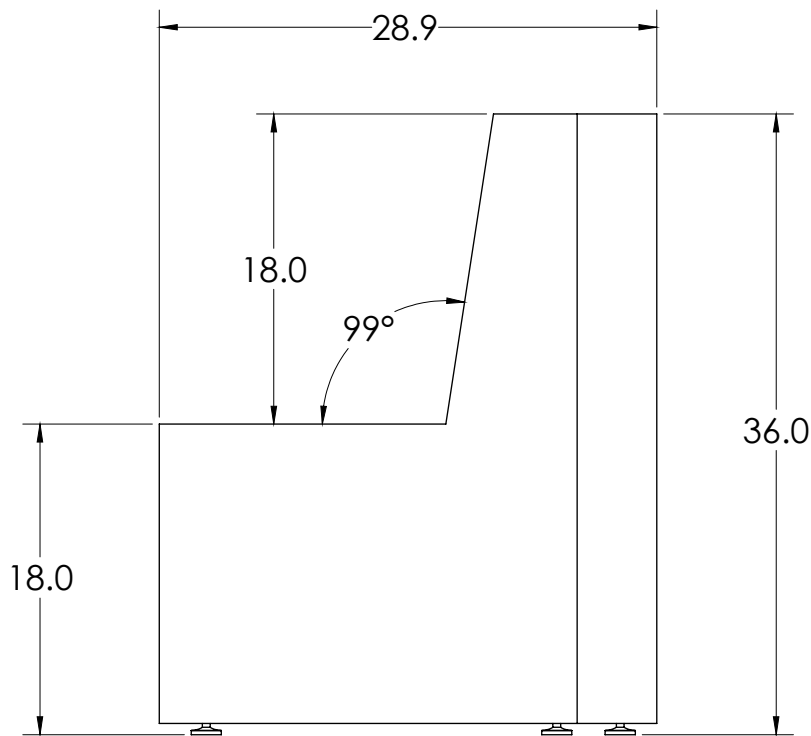


Learn more at [artcobell.com](https://www.artcobell.com)

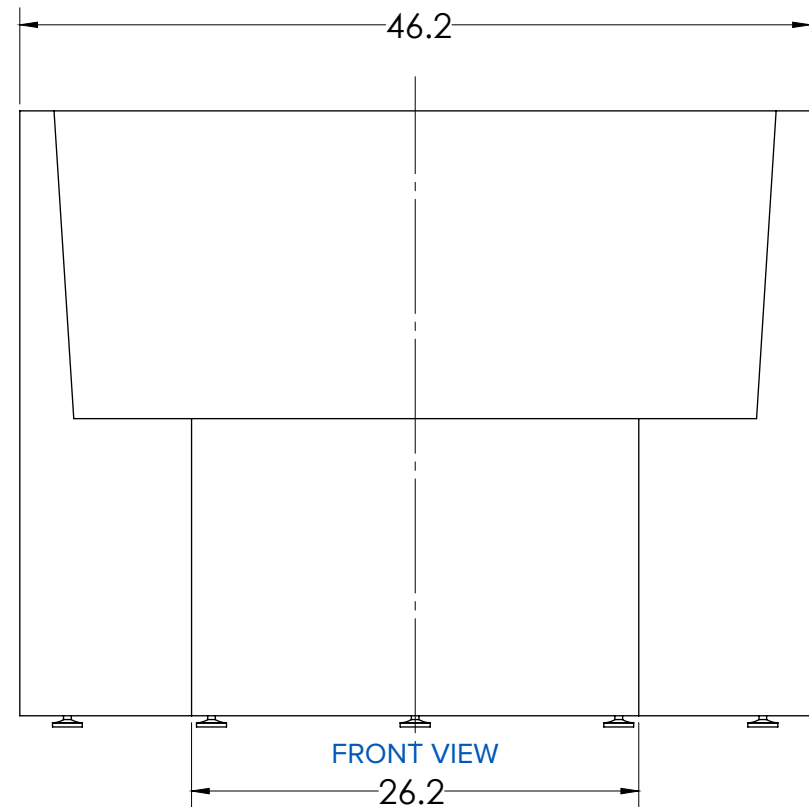


Curved Lounge | Sofa

Inside Curve | 45° Radius



SIDE VIEW



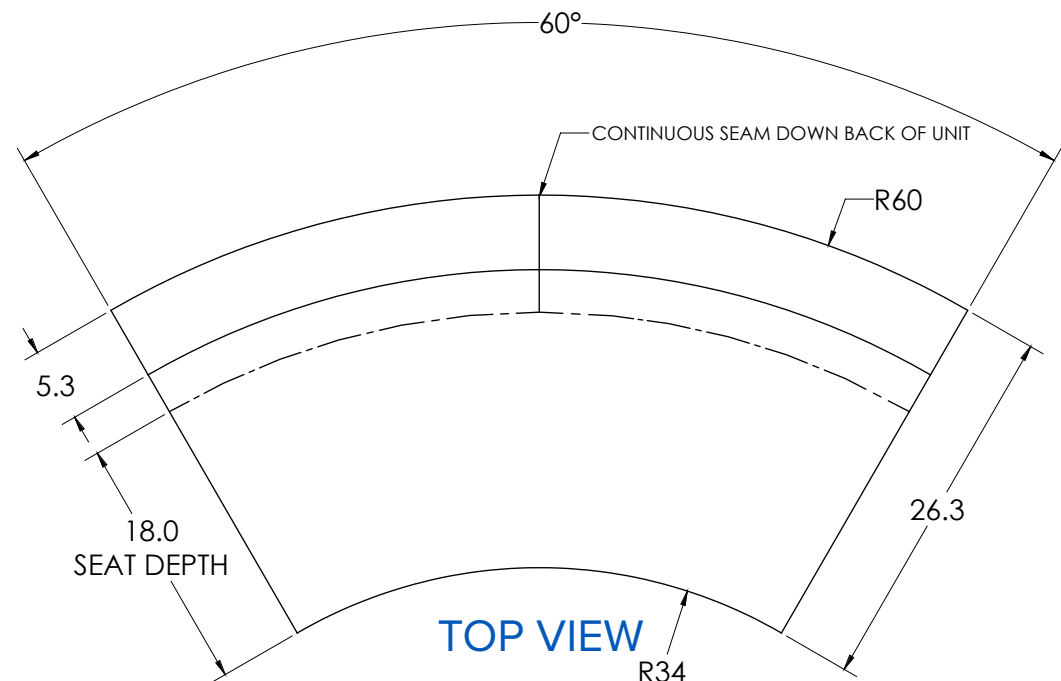
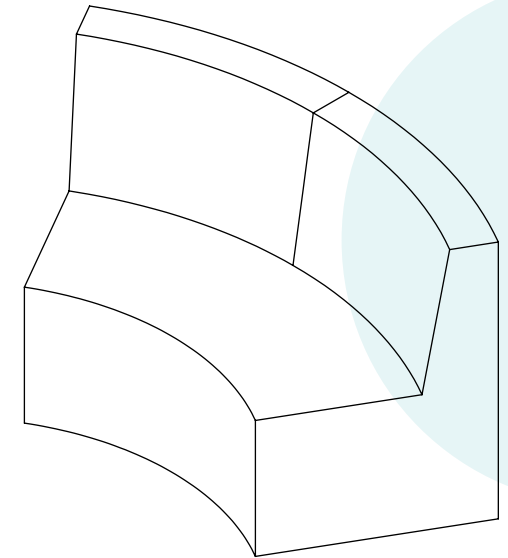
FRONT VIEW

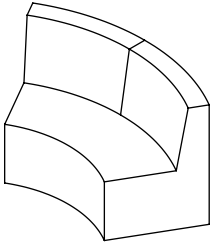
Curved Lounge | Sofa

Inside Curve | 60° Radius

MODEL	WIDTH"	DEPTH"	HEIGHT"	SEAT DEPTH "
SS-CSI60	60.3"	30.9"	36"	18"
SSD-CSI60	60.3"	30.9"	36"	18"

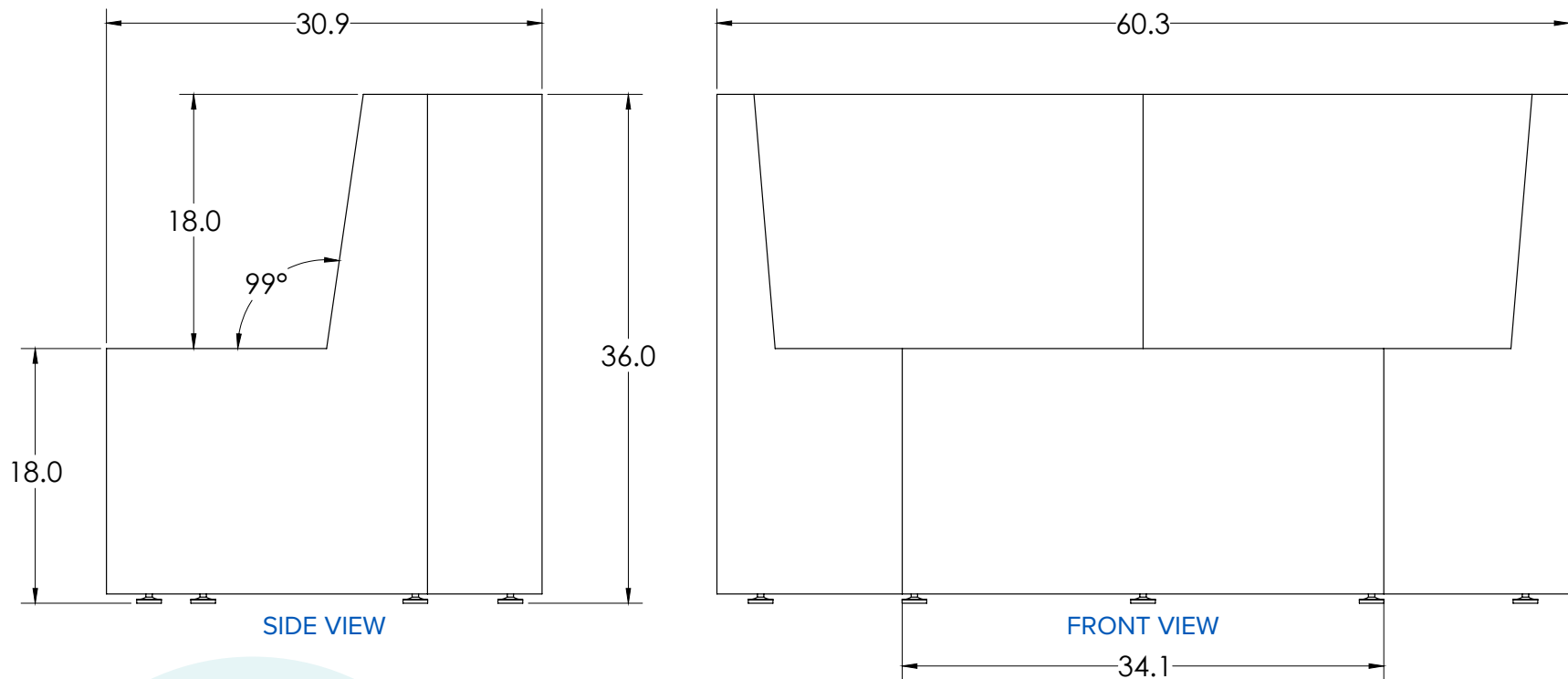
- CURVED SOFA IN AT 60 DEGREE TOP VIEW.
- MAIN COMPONENTS OF FINAL ASSEMBLY [FULLY ASSEMBLED]:
 - FOAM: 18090 STANDARD INDUSTRY GRADE.
 - FABRIC: DESIGN CHOICE SPECIFIC TO CUSTOMER, SECURED TO UNIT WITH STAPLES ONTO WOOD BASE.
 - WOODBASE: 0.75" THICK MDF WITH BACKER BROWN, GLUED TO FOAM UNIT.
 - FRAME: 12GA, 1-1/8in METAL TUBE SUPPORT [SITS INSIDE FOAM, UNDETECTED BY USER].
- ADJUSTABLE THREADED GLIDES: 6 QTY.
- CASTER AND SOFA BENCH LEGS NOT RECOMMENDED.
- STORAGE MODEL UNIT MATCH:
 - ASFVSC-1742
 - ASFVSC-1748





Curved Lounge | Sofa

Inside Curve | 60° Radius

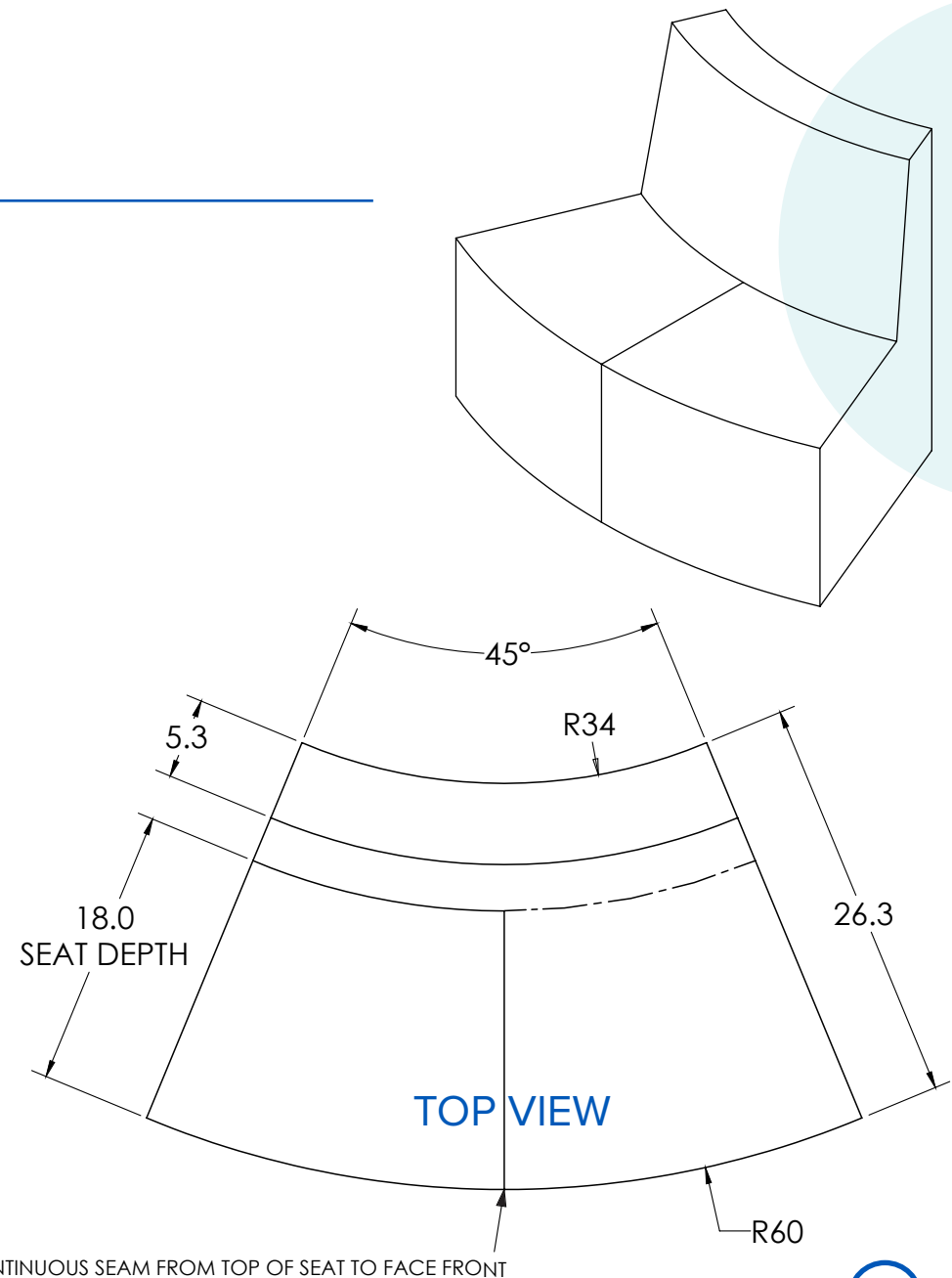


Curved Lounge | Sofa

Outside Curve | 45° Radius

MODEL	WIDTH"	DEPTH"	HEIGHT"	SEAT DEPTH "
SS-CSO45	46.2"	28.9"	36"	18"
SSD-CSO45	46.2"	28.9"	36"	18"

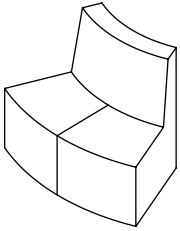
- CURVED SOFA OUT AT 45 DEGREE TOP VIEW.
- MAIN COMPONENTS OF FINAL ASSEMBLY [FULLY ASSEMBLED]:
 - FOAM: 18090 STANDARD INDUSTRY GRADE.
 - FABRIC: DESIGN CHOICE SPECIFIC TO CUSTOMER, SECURED TO UNIT WITH STAPLES ONTO WOOD BASE.
 - WOODBASE: 0.75" THICK MDF WITH BACKER BROWN, GLUED TO FOAM UNIT.
 - FRAME: 12GA, 1-1/8in METAL TUBE SUPPORT [SITS INSIDE FOAM, UNDETECTED BY USER].
- ADJUSTABLE THREADED GLIDES: 5 QTY.
- CASTER AND SOFA BENCH LEGS NOT RECOMMENDED.
- STORAGE MODEL UNIT MATCH: NA



Learn more at artcobell.com

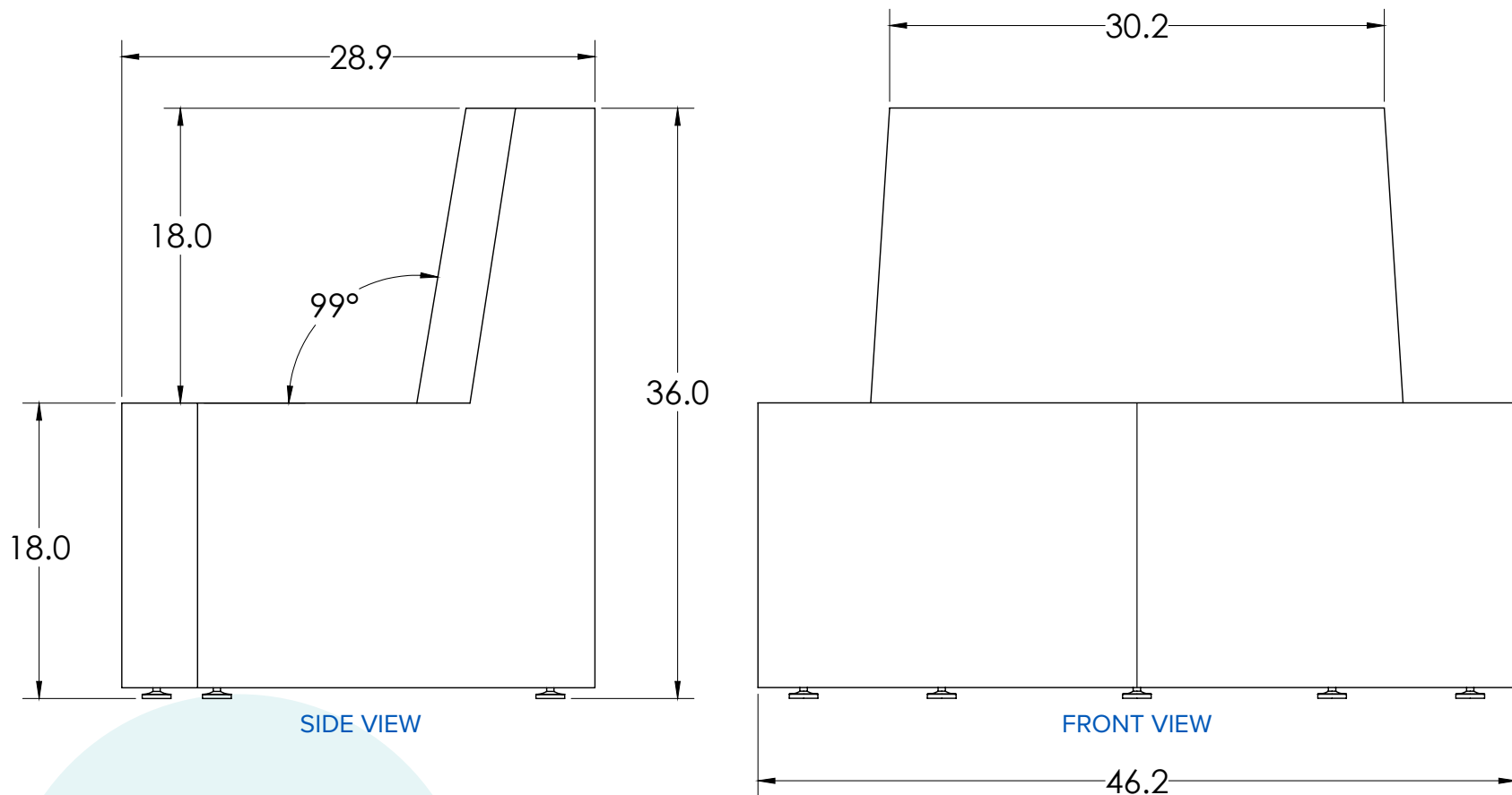
Artcobell's practice of continuous improvement in design & engineering requires that materials & methods be subject to change without prior notice.

TS.SS (7/29/24) Artcobell Specifications



Curved Lounge | Sofa

Outside Curve | 45° Radius



Learn more at artcobell.com

Artcobell's practice of continuous improvement in design & engineering requires that materials & methods be subject to change without prior notice.

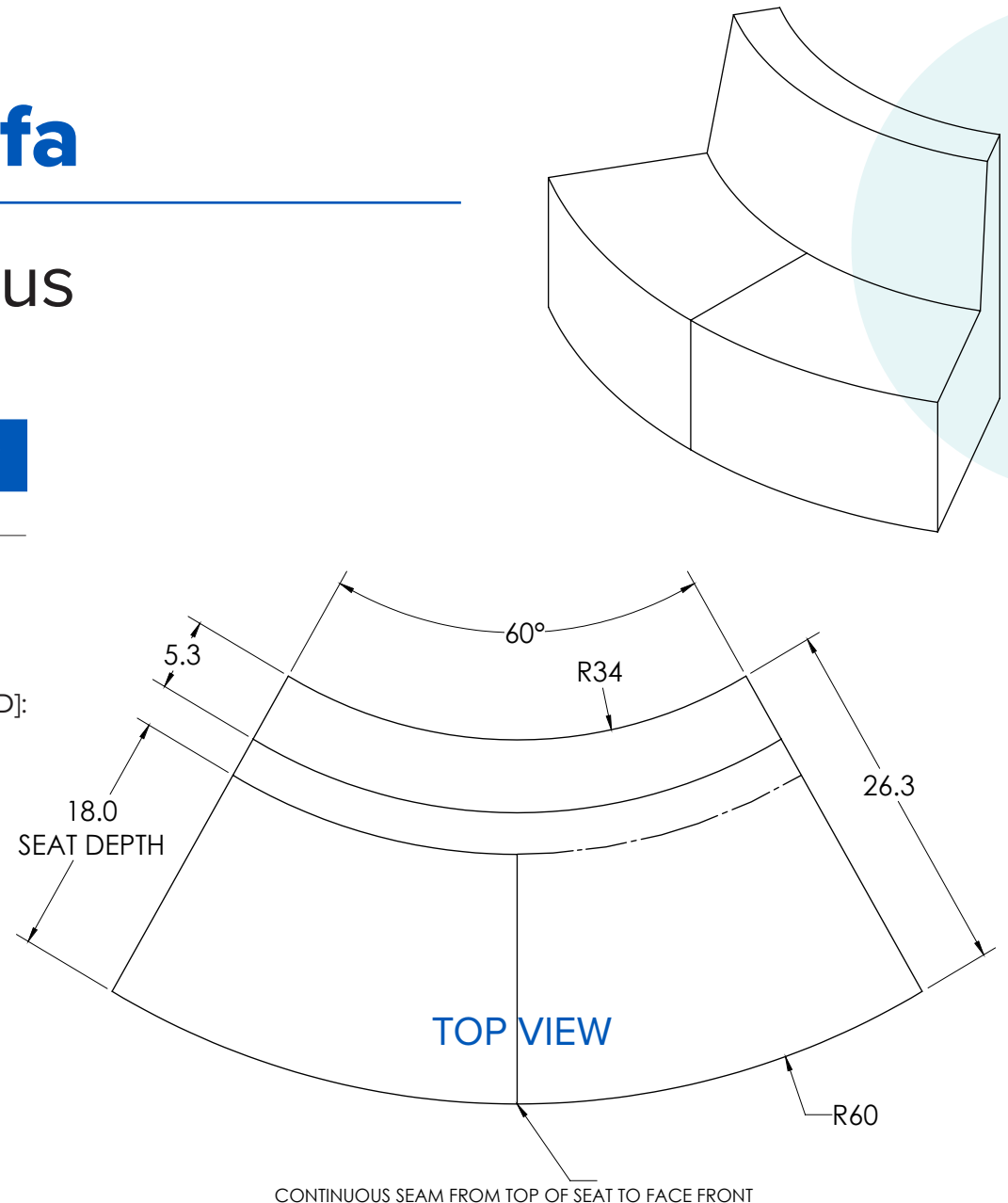
TS.SS (7/29/24) Artcobell Specifications

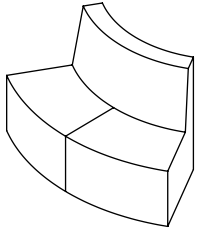
Curved Lounge | Sofa

Outside Curve | 60° Radius

MODEL	WIDTH"	DEPTH"	HEIGHT"	SEAT DEPTH "
SS-CSO60	60.3"	30.9"	36"	18"
SSD-CSO60	60.3"	30.9"	36"	18"

- CURVED SOFA OUT AT 60 DEGREE TOP VIEW.
- MAIN COMPONENTS OF FINAL ASSEMBLY [FULLY ASSEMBLED]:
 - FOAM: 18090 STANDARD INDUSTRY GRADE.
 - FABRIC: DESIGN CHOICE SPECIFIC TO CUSTOMER, SECURED TO UNIT WITH STAPLES ONTO WOOD BASE.
 - WOODBASE: 0.75" THICK MDF WITH BACKER BROWN, GLUED TO FOAM UNIT.
 - FRAME: 12GA, 1-1/8in METAL TUBE SUPPORT [SITS INSIDE FOAM, UNDETECTED BY USER].
- ADJUSTABLE THREADED GLIDES: 6 QTY.
- CASTER AND SOFA BENCH LEGS NOT RECOMMENDED.
- STORAGE MODEL UNIT MATCH: NA





Curved Lounge | Sofa

Outside Curve | 60° Radius

